



■ FEATURES

- Tri-State Enable/Disable
- TTL/HCMOS Compatible
- Tape And Reel
- IR Re-flow
- 3.3V、2.8V、1.8Voption

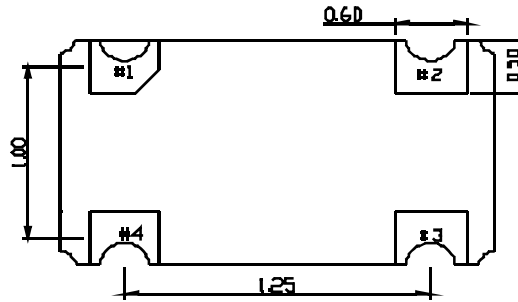
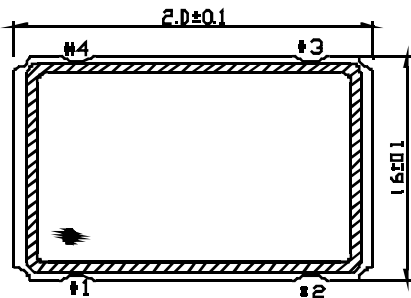
■ SPECIFICATION:

Parameter	Min	Typical	Max	Unit
Package	SMD2016			
Frequency Range(F0)	1.00		60.00	MHz
Frequency Tolerance @25±3 °C(ΔF/F0)	±20	F0	±50	PPM
Frequency Stability @TOPR(ΔF/F0)	±20	F0	±50	PPM
Operating Temperature Range(TOPR)	-40		+85	°C
Storage Temperature Range(TSTG)	-55		+125	°C
Operating Voltage(Vcc)	3.3±10%、2.5±10%、1.8±10%			V
Input Current On Load(Icc)			1(13.7 to 70.0KHz) 25(2.0 to 49.99MHz) 35(50.00 to 60.0MHz)	mA
Duty Cycle(η)	45	50	55	%
Rise Time (Tr)			50(13.7 to 70.0KHz) 10(2.0 to 23.99MHz) 8(24.00 to 60.0MHz)	ns
Fall Time (Tf)			50(13.7 to 70.0KHz) 10(2.0 to 23.99MHz) 8(24.00 to 60.0MHz)	ns
Start-up Time(Ts)			3	ms
Output Load	15PFHCMOS Typ			
Output Low Voltage Level("0")			10%Vcc	V
Output High Voltage Level("1")	90%Vcc			V
Remarking	Pin 1=H or open -- Output active at Pin 3 ; Pin 1=L -- high impedance at Pin 3			

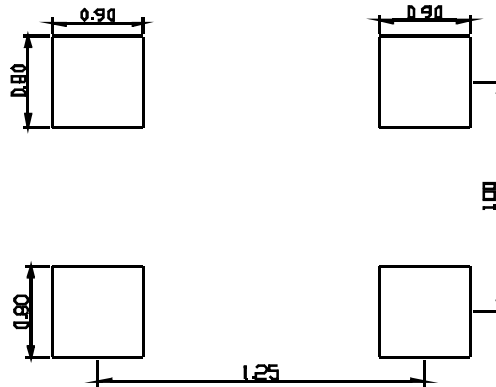




■ DIMENSIONS AND PIN FUNCTION:



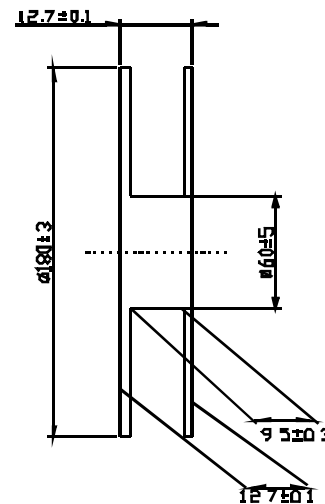
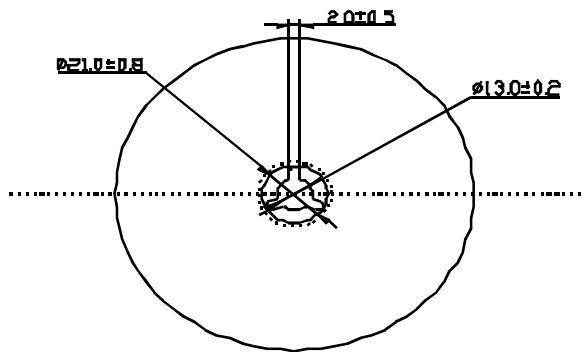
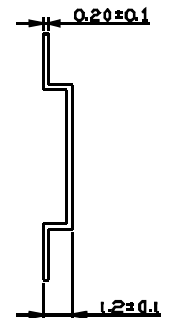
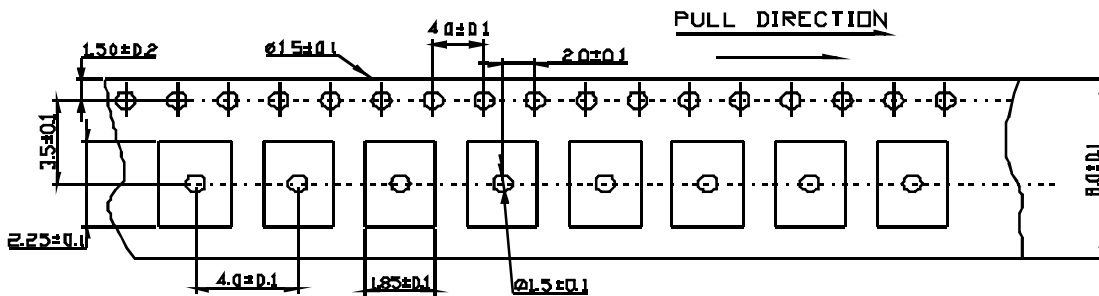
PIN	Function
#1	NC/Tri-state
#2	GNP
#3	Output
#4	VCC



Unit:mm

Recommended Solder Pattern

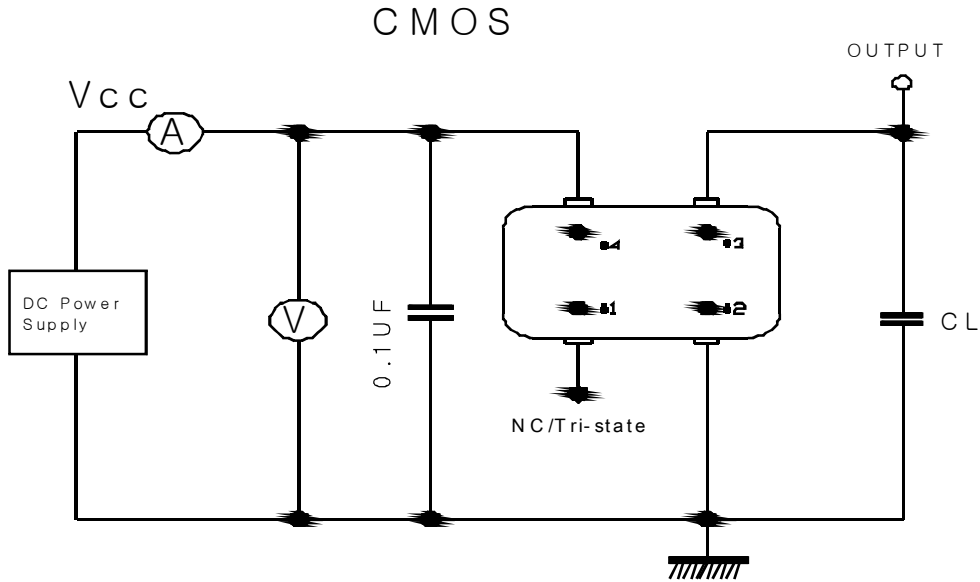
■ TAPING AND REEL:



Unit: mm



■ TEST CIRCUITS:



CL=15PF (including fixture and probe capacitance)

■ OUTPUT WAVEFORM:

$$\text{Duty}(\eta) = [T_H / (T_H + T_L)] * 100\%$$

